

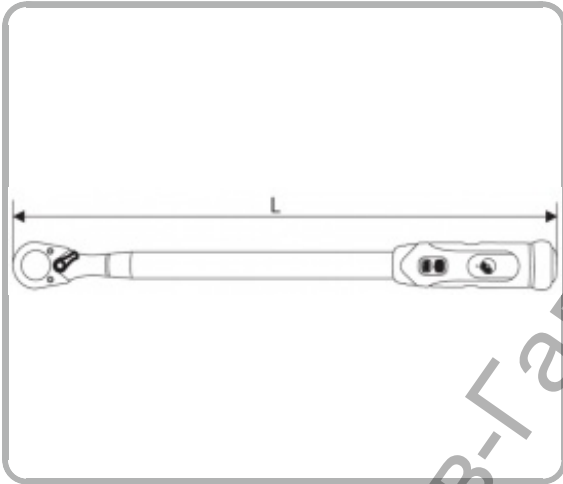
TORQUE WRENCHES | E100106

Description

- ISO 6789
- Accuracy: +/- 4%.
- Comfortable grip.
- Direct torque value reading.
- Fast and easy setting.
- Supplied with calibration certificate.

Information

EAN	3258951001066
L [mm]	400
Conditioning	1
N.m	10 - 50
No.	3/8
[g]	988



Ташев-Галвинг ООД
www.tashev-galving.com